



ROCBIT GROUP

8 Lake Road Denlee Germiston South Africa

Tel : +27 11 824 0760/1/2

Fax : +27 11 824 4458

E-Mail : rocbitdrillingequip@infekom.co.za

Web : www.rocbit.co.za

HYPER 241S DTH HAMMER

Technical Brochure



ROCBIT GROUP

8 Lake Road Denlee Germiston South Africa

Tel : +27 11 824 0760/1/2

Fax : +27 11 824 4458

E-Mail : rocbitdrillingequip@infekom.co.za

Web : www.rocbit.co.za

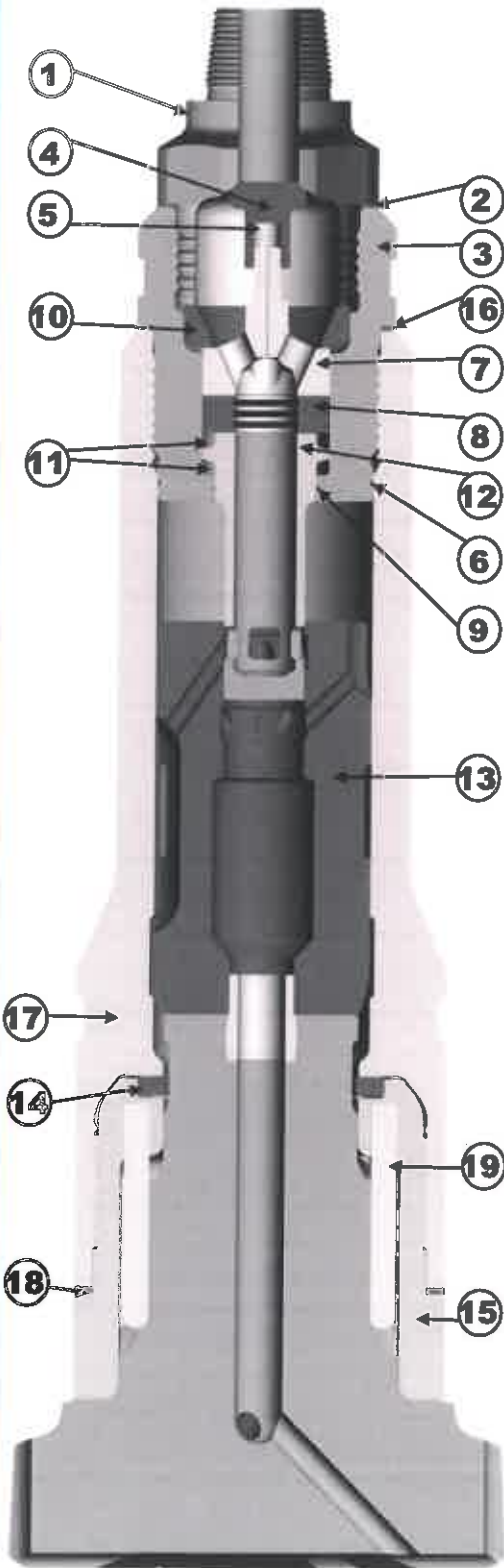
Hyper 241S Valveless Hammer

864mm (34") - 1090mm (43") dia. Holes

The Bulroc Hyper 241S hammer is a valveless DTH hammer designed to operate efficiently at pressures ranging from 7 to 12.06 bar (100 - 175 psi).

A positive seating check valve is fitted.

The Hyper 241S is supplied to suit the XL24/32 shank as standard.



COMPONENT PARTS

Ref	Description	Part Number
1	Backhead Adaptor 8 1/2" Reg. Pin	HSH2413682M
2	Breakout Washer (adaptor)	HSH24127
3	Backhead	HSH24138
4	Check Valve	HSH18108
5	Check Valve Spring	HSH24110
6	Backhead "O" ring	HSH24114
7	Valve Chest	HSH24104
8	Compression Buffer	HSH24128
9	Backhead Sealing "O" ring	HSH241114A
10	Internal Washer Adaptor	HSH24106
11	Control Tube Buffers (2)	HSH24129
12	Control Tube	HSH24130
13	Piston	HSH24103XL24
14	Bit Retaining Ring	HSH24137XL24
15	Chuck	HSH24135XL24
16	Breakout Washers (backhead)	HSH24126
17	Wearsleeve	HSH24100XL24
18	Breakout Washer (chuck)	HSH24126
19	Drive Pins	DPXL24
COMPLETE HAMMER		BR241SH01

HAMMER SPECIFICATION

	Imperial	Metric
Weight (less bit)	8800lbs	4000kgs
Eff Length (less bit)	100"	2540mm
Outside dia.	29.3"	745mm
Bore dia.	17.7"	433mm
Piston Weight	1276lbs	580kgs
Stroke	6"	152mm

AIR CONSUMPTION

PSI	BAR	C.F.M	C.u. Mtr / min
100	6.9	2188	61.9
125	8.6	3059	86.6
150	10.3	4020	113.8
175	12.1	5066	143.4



ROCBIT GROUP

ROCBIT GROUP

8 Lake Road Denlee Germiston South Africa

Tel : +27 11 824 0760/1/2

Fax : +27 11 824 4458

E-Mail : rocbitdrillingequip@intekom.co.za

Web : www.rocbit.co.za